

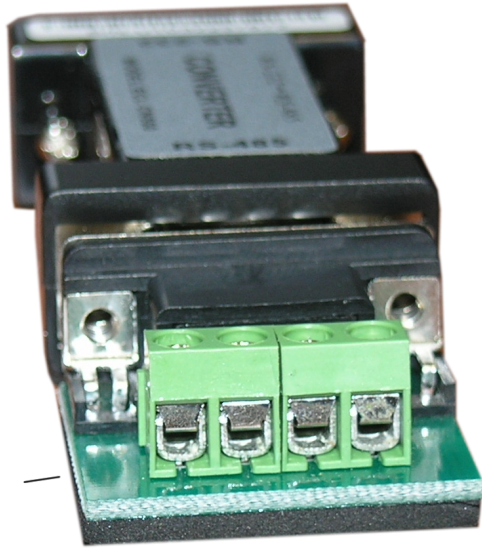
COR-CN550

RS232 TO RS485 SERIAL INTERFACE CONVERTER

Convert RS485 to RS232C Serial

This modular converter adapts signals so a PC or similar device with a serial COM port (RS232C) can communicate with equipment or products that require RS485 serial formatted data/control, such as POS (point-of-sale) devices.

Standard DB9 serial connector

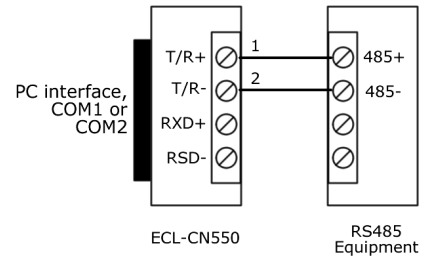


Terminal block for bare wire connections

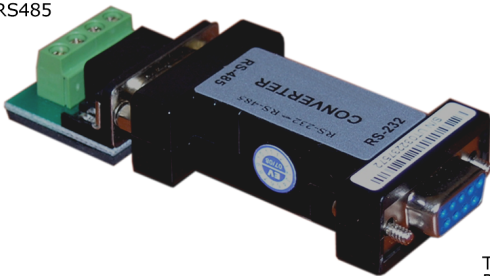
Specifications

RS232C: DB9 connector
RS485: terminal block connector
Asynchronous half duplex difference transmission
Transmission media: twisted pair wire
Baud rate: 300 to 115.2kbps
Max. Distance w/o Amplification: 1312 yards (1200 meters) cable at the RS485 side, 5.5 yards (5 meters) cable at RS232 side
Dimensions: 2.48" x 1.30" x 0.67" (63mm x 33mm x 17mm)
Compatibility: RS232C, RS485 standard interface compatible with EIA, TIA

RS485 point to point 2 wires half-duplex

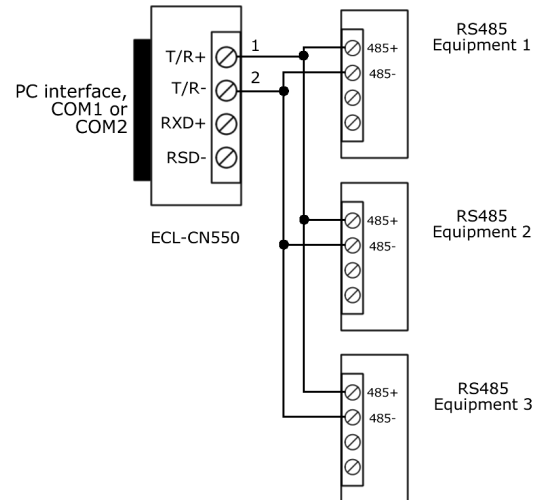


This side to RS485 products

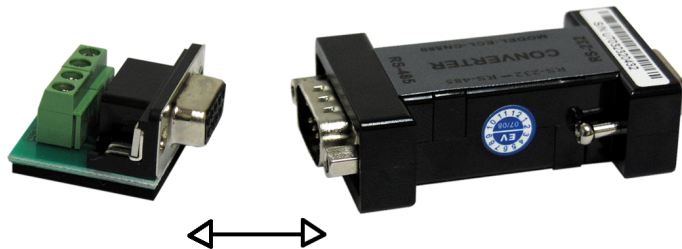
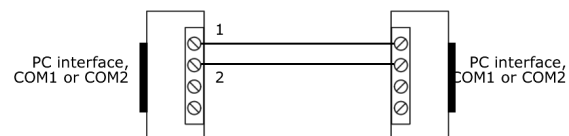


This side to PC or RS232C control

RS485 point to multi-point 2 wires half-duplex



PC-to-PC Connection



COR-CN550

