

COR-LYNXM

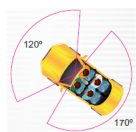
HD MOBILE 720p DVR w/ IMAGE STABILIZATION & GPS



Front Facing (Street) Camera



Rear Facing (Interior) Camera

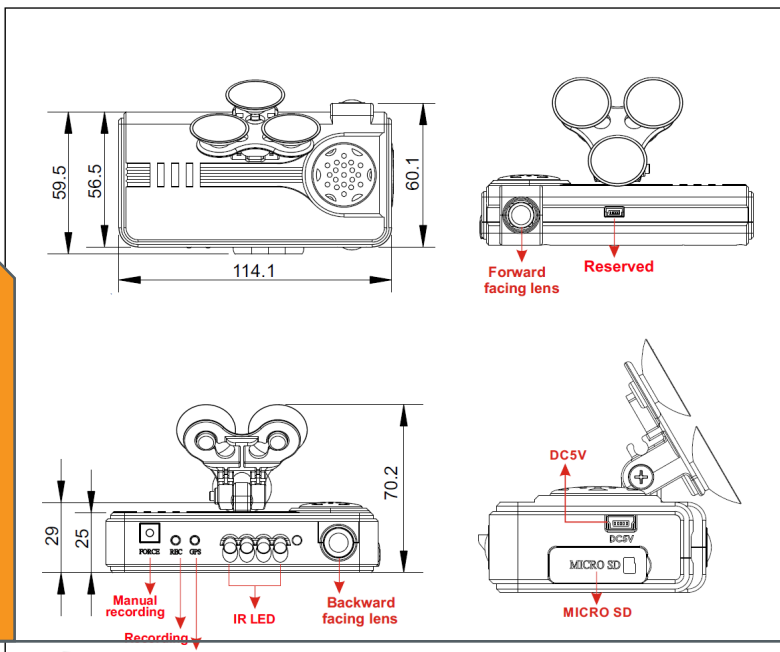


Front Lens Angle: 120°
Rear Lens Angle: 170°

Vehicle Based DVR with Front/Back Cameras, G-Force Sensors and Built-in GPS

Designed for placement in vehicles, the Lynx-M is a portable DVR designed for interior vehicle placement. It has a forward-looking high definition (720p) camera that can monitor action in the street in front of the vehicle and a reverse-looking camera that can monitor the driver and passengers inside the vehicle. It uses image stabilization to remove road vibration and g-force sensors that can control recording in the event of drastic changes in vehicle speed (sudden acceleration/deceleration). A built-in GPS records location coordinates and can be used with Google Earth Satellite images to chart a route. Works while driving and has auto-on/auto-off convenience features as well as built-in infrared (for vehicle interior camera).

- Small size does not effect driver's line of sight.
- Starts recording when you start the vehicle.
- Simultaneously record interior and street view.
- Adjustable G-Sensor can trigger recording.
- Manual initiated Force recording and Emergency recording does not over-write previous recordings.
- Runs on vehicle power, never an internal battery issue like low power or nicad/lithium technology hazards.



General Specifications COR-LYNXM

Front Facing (Street) Video Sensor: High Definition 720p 1/4" CMOS
Rear Facing (Interior) Video Sensor: VGA 1/4 CMOS
Chipset: DSP with H.264 compression & High Definition
Recording (Front): 720p (1280x720) @ 30fps (highest resolution)
Recording (Rear): VGA (640x480) @ 15fps (highest resolution)
Recording Modes: Auto-Record at power-up, Force-Record at button press, G-force setting trigger auto-record
Lens Field of View Angle: front - 120° / rear - 170°
Audio Recording: Yes (mono.), built-in microphone
IR LEDs: 4 Units Operating at 850nm Wavelength
IR Range: Interior of vehicle
Video Content: Image & sound w/date, time, g-sensor & gps data
Clock & Calendar Function: GPS (or Internal Clock if GPS not available)
Time Set: Auto-Calibrate via GPS (or Internal Clock if GPS not available)
G-Force Sensors: Internal, 3D sensitive
Storage: (optional) micro SD card (4G, 8G, 16G, 32G), 4GB Class 10 or higher
Output: download video from card
Recording Function: Manual, automatic, g-force triggered
Power: 5VDC (±5%)
Power Adapter: Cigarette lighter/auxiliary power adapter available
Operating Temperature: 5°F to 149°F (-15°C to 65°C)

Software

The free multilingual software provided with the COR-LYNXM contains a full featured player designed specifically for this mobile DVR. Its many features include (but are not limited to) the following:

- Simultaneous synchronized video of interior and exterior view
- Integration with Google Maps with vehicle icon overlay
- Speedometer readout
- Latitude and longitude coordinates
- G-sensor readout (synchronized with video)
- Audio (with volume control)
- Video search
- Save & Open Video functions
- Screen capture



As our product is subject to continuous improvement, Cortex & subsidiaries reserve the right to modify product design, specifications & prices without notice and without incurring any obligation. E&OE. Distributed by www.cctvcore.com 01-06162016

