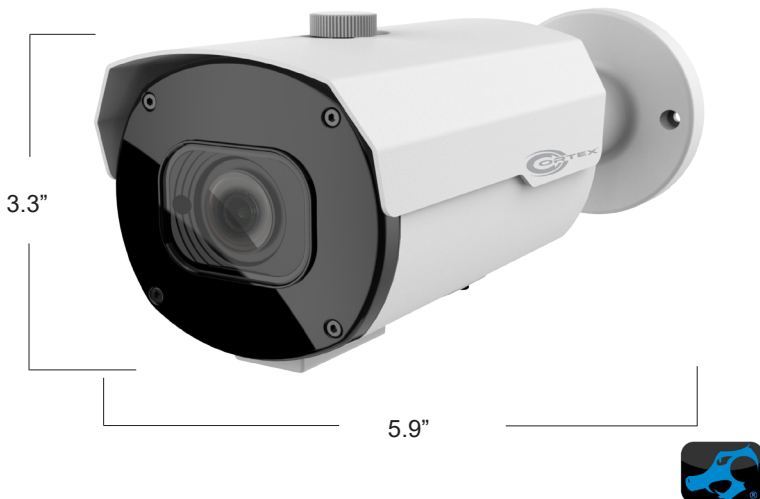


COR-IP2BF

2MP STARLIGHT NETWORK CAMERA with DRAGONFIRE® INFRARED



KEY FEATURES

- 1/2.8" Progressive CMOS
- 3.6mm IR Lens approx. 83° H.FOV
- Premium Starlight Technology
- Dragonfire® LEDs
- IR Range up to 100 feet
- Metal Housing IP66 Waterproof
- 1920 (H) × 1080 (V) Resolution

SPECIFICATIONS

| | |
|-------------------|--|
| Resolution | 2MP 1920 (H) × 1080 (V) |
| Image Sensor | 1/2.8" Progressive CMOS (2.13M Pixels) |
| Min.Illumination | Color 0.01lux @ F1.2(AGC ON) ; B/W 0 lux @ IR ON |
| Shutter Time | Auto/Manual 1/5 ~ 1/20000s |
| Shutter Control | Active Shutter Controls |
| Lens | 3.6 mm Approx Horizontal field of view: 83° |
| F-Stop | F 2.0 ±5% |
| Day & Night | Auto switching infrared-cut filter (OSD on/off) |
| WDR | 120 dB |
| Video Compression | H.265 / H.264 |
| Video Bit Rate | 8Kbps ~ 8Mbps |
| Video Streaming | 3 individually adjustable streams |
| Frame Rate | Mainstream up to 30fps 1920x1080, 1280x960, 1280x720 Substream 1280x720, 640x480, 320x240 Mobilestream 640x480, 320x240 |
| Image Settings | Rotate, Saturation, Brightness, Contrast, Hue, Sharpness |
| BLC | Yes |
| ROI | Yes |
| Privacy Mask | Yes |
| AI Analytics | Cross line Detection, Intrusion Detection, Stationary Object Alert |
| Protocols | TCP/IP, IPv4v6, HTTP, DHCP, DNS, DDNS, RTP/RTSP, PPPoE, |



| | |
|-----------------------|--|
| Compatibility | Open Compatibility, API, Cortex Plug & Play |
| Network Connector | RJ45 10M / 100M Ethernet interface |
| Illumination | DragonFire® 2pcs (Cortex Matrix Array) LEDs |
| IR Range | Up to 100 feet (30m) |
| ePTZ | Digital Pan Tilt Zoom |
| Alarm Trigger | N/A |
| Audio | N/A |
| Connectors | Rj45 and 2.1mm power jack |
| Reset System | Software |
| PoE | Yes, IEEE 802.3af / IEEE 802.3at |
| Casing | Metal Housing IP66 Waterproof |
| Power Supply | DC 12V / POE |
| Consumption | ≤ 7W |
| Storage Temperature | -30~+60°C (-22~+140°F) |
| Operating Temperature | -30~+55°C (-22~+131°F) |
| Dimensions | 84 X 150mm (3.3 X 5.9 inches) |
| Weight | Approximately 1.02 lbs (463g) |

COR-IP2BF

