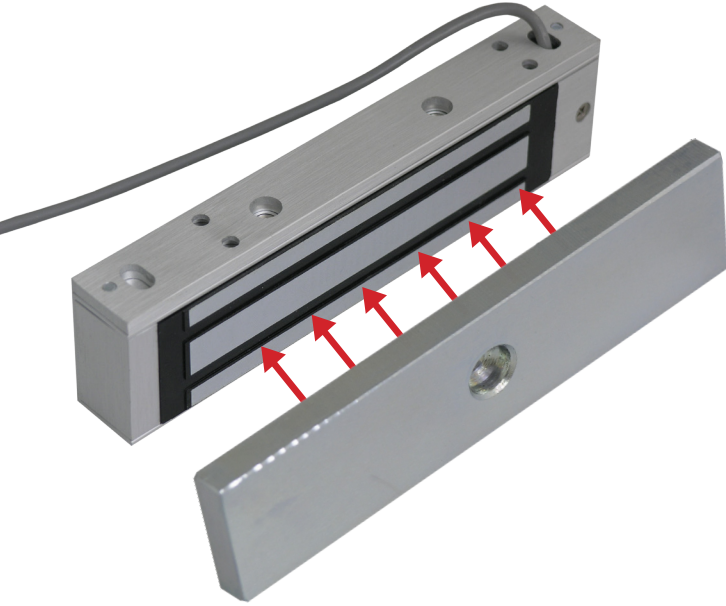


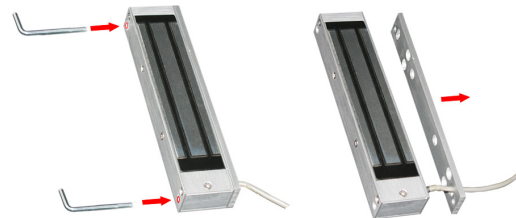
COR-ACC150

UL-LISTED 300LB MAGNETIC LOCK



Our COR-ACC150 magnetic lock is widely used in commercial and industrial applications. It is perfect for use on doors and gates that close against a fixed stop. All of the lock components are carefully designed, manufactured, and tested to ensure superior quality.

- APPLY 300I LBS HOLDING FORCE IN AN INSTANT
- HEAVY DUTY, ALUMINUM ALLOY CONSTRUCTION
- RELEASE WITH NO RESIDUAL MAGNETISM
- DOOR TEMPLATE, INSTRUCTIONS ,INSTALLATION HARDWARE KIT INCLUDED

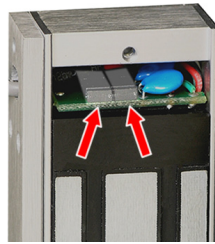


Remove the side plate, if necessary for installation, using the tool provided

Jumper Settings

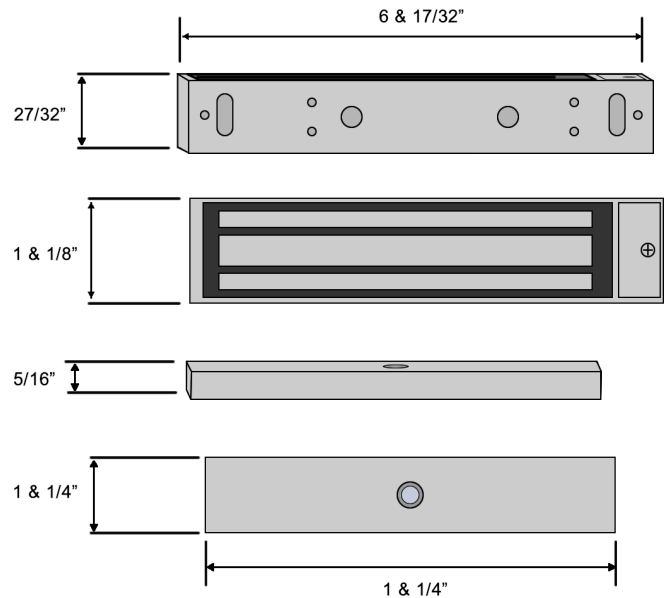


Jumper Setting for 24VDC Operation



Jumper Setting for 12VDC Operation (Default Setting)

Dimensions



SPECIFICATIONS

Design	Surface mount
Holding Force	300 lbs
Protection	Built-in voltage spike suppressor
Power	12VDC or 24VDC
Current	360mA/12VDC, 180mA/24VDC

RELATED PRODUCTS

Z-Bracket for COR-ACC150 Maglock



COR-ACC3Z

Glass Door U-Bracket for COR-ACC150 Maglocks



COR-ACC3U

Indoor Card Reader & Fingerprint Scanner



COR-ACC999

Push to Exit Button



COR-ACC410IL

COR-ACC150

